

CWTe Research Retreat 2017

Opening and Introduction

Sonia Heemstra de Groot
20171025



Welcome!

to the 8th CWTe
Research Retreat

CWTe Structure



Program Board Chairs



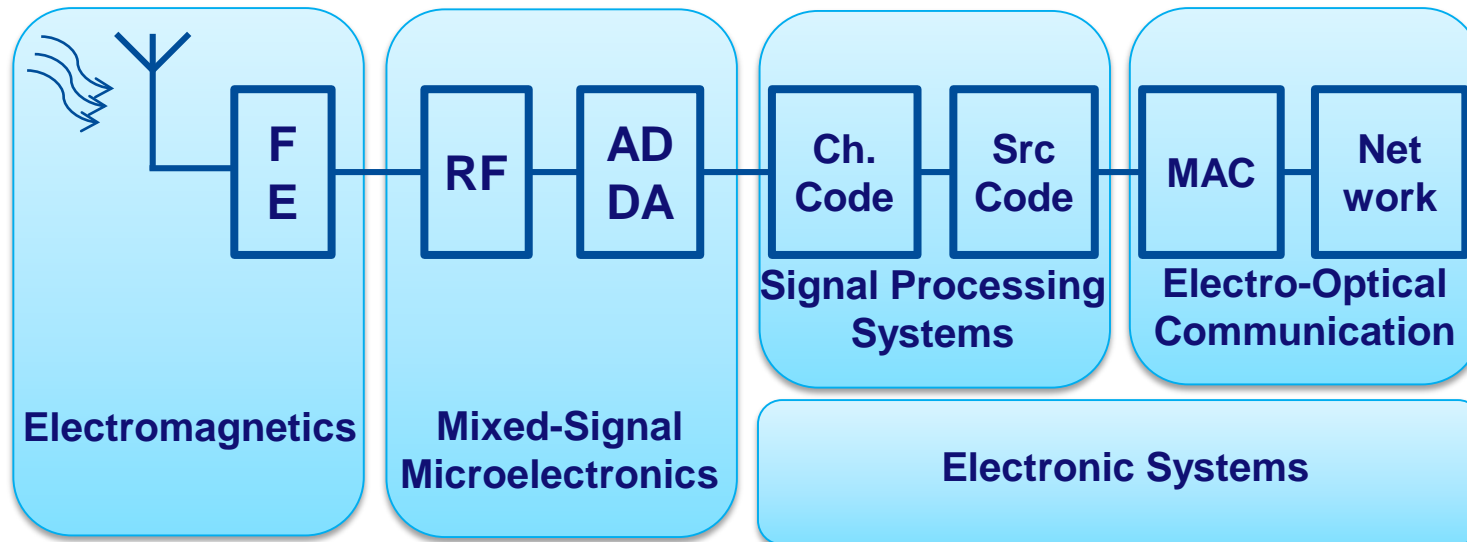
Bus. Dev. Director



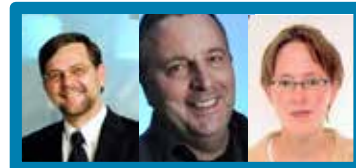
SPS



ECO



EM

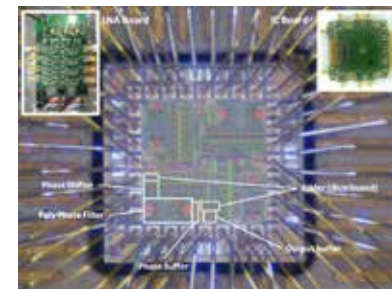


MsM



ES

- **Ultra-high data rates**
 - High Frequencies ($\geq 30\text{GHz}$)
 - High data rates (1Tbps)
 - Beamforming with many elements @ low cost
 - Next generation RAN (RoF, M-MIMO, Dyn. Reconf.)
- **Ultra-low power and IoT**
 - Small ($\ll 1\text{mm}^3$), low-cost
 - Battery-less sensors/controls
 - Self-configuring networks, autonomous devices and AI
- **THz Systems**
 - 3D spectroscopic imaging
 - Small, low-cost short range
- **Radio Astronomy**
 - Next generation radio telescopes
 - Large antenna arrays
 - Low frequency ($<30\text{ MHz}$)



- **Business development**
 - Jan Haagh
- **Ultra-High Data Rate Systems**
 - Coordinator: **Ulf Johannsen**
- **Ultra-Low-Power Systems and IoT**
 - Coordinator: **Antonio Liotta**
- **Terahertz Systems**
 - Coordinator: Marion Matters
- **Radio Astronomy**
 - Coordinator: Mark Bentum



- **Silika project**
- **Impuls NXP-TU/e projects 5 and 6**
- **Partnership projects**
- **Flagship KPN-TU/e**
 - **DSC/e, Smart Cities Centre, IPI, CWTe**
 - **Project ONE (4 PhDs) – Growing to 16 Ph.D's**
 - **Kick off 29 November**

- **Strong increase students**
- **Large interest of BEP Connected World track**
- **Wireless system architect post master program**
- **Advise on MOOC - Wireless Communications**



Centre for Wireless Technology Eindhoven

Invitation CWTe 2017 Research Retreat

Wednesday, 25th of October 2017
De Zwarte Doos, 1st floor, TU Eindhoven

Hosted by: Centre for Wireless Technology Eindhoven

- 9.00 - Welcome with coffee
Morning program
- 9.30 Opening and introduction
9.40 Cees Links on IoT wireless technologies
10.20 THz Technology and its applications
11.00 - Break (incl. posters)
11.30 Elevating IoT sensor data towards a Digital Twin
12.10 Advances in Radio Astronomy
Lunch
- 12.50 - Lunch (incl. posters)
Afternoon program
- 13.35 5G NR – Radio Access for the Future
14.15 5G New Radio System Research at the TU/e
14.55 - Break (incl. posters)
15.25 Wireless Positioning in Indoor Environments
16.05 High-Speed Radio Communication over a Plastic Fiber
Closing
- 16.45 Closing session
16.55 - Drinks and networking
- Sonia Heemstra de Groot (TU/e)
Cees Links (Qorvo/GreenPeak)
Marion Matters (TU/e)
- Peter Huisman (KLM)
Mark Bentum (TU/e)
- Stefan Parkvall (Ericsson)
Ulf Johannsen (TU/e)
- Stavros Stavrou (Open Univ of Cyprus)
Joost van Beek (NXP)
- Sonia Heemstra de Groot (TU/e)

For registration: see link on www.tue.nl/cwte

CWTe Research Retreat

Closing

Sonia Heemstra de Groot



Thanks for your Attendance & Attention!

Hope you enjoyed the retreat

Thanks to:

Speakers

Posters presenters

CWTe/EE Staff

CWTe partners

Margot van den Heuvel

Jan Haagh

**You are invited to attend the next
Research Retreat**

October 2018

Details will be announced by email to all participants.

**Enjoy the drinks and
networking!**



Centre for Wireless Technology Eindhoven