

Antennex

for characterizing millimeter wave antennas

Henrico Stacie

9th October 2019

We are AntenneX



Bart Smolders



Ulf Johannsen



Ad Reniers



Henrico Stacie



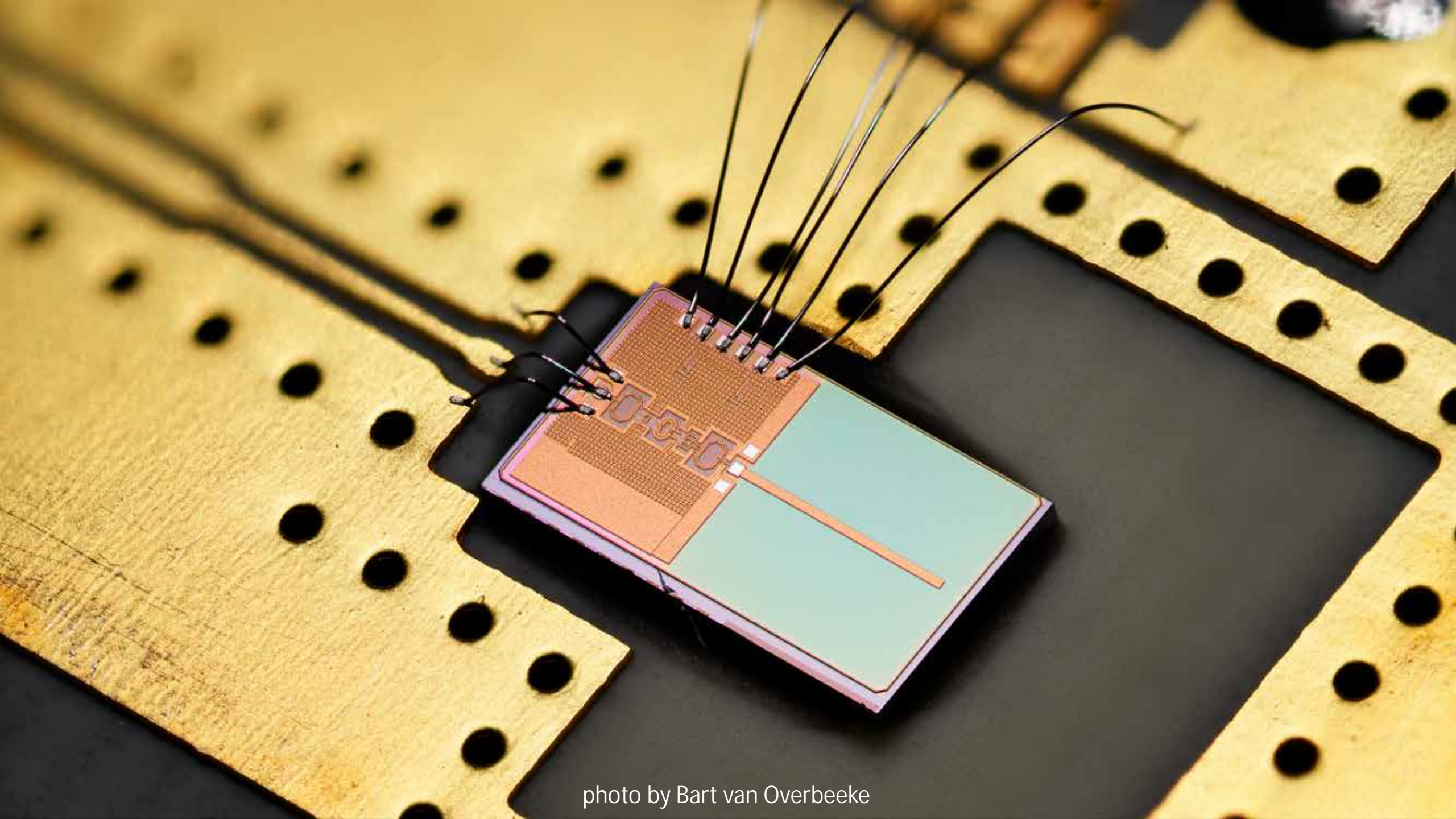


photo by Bart van Overbeeke

5G



Telecom

Medical

Automotive

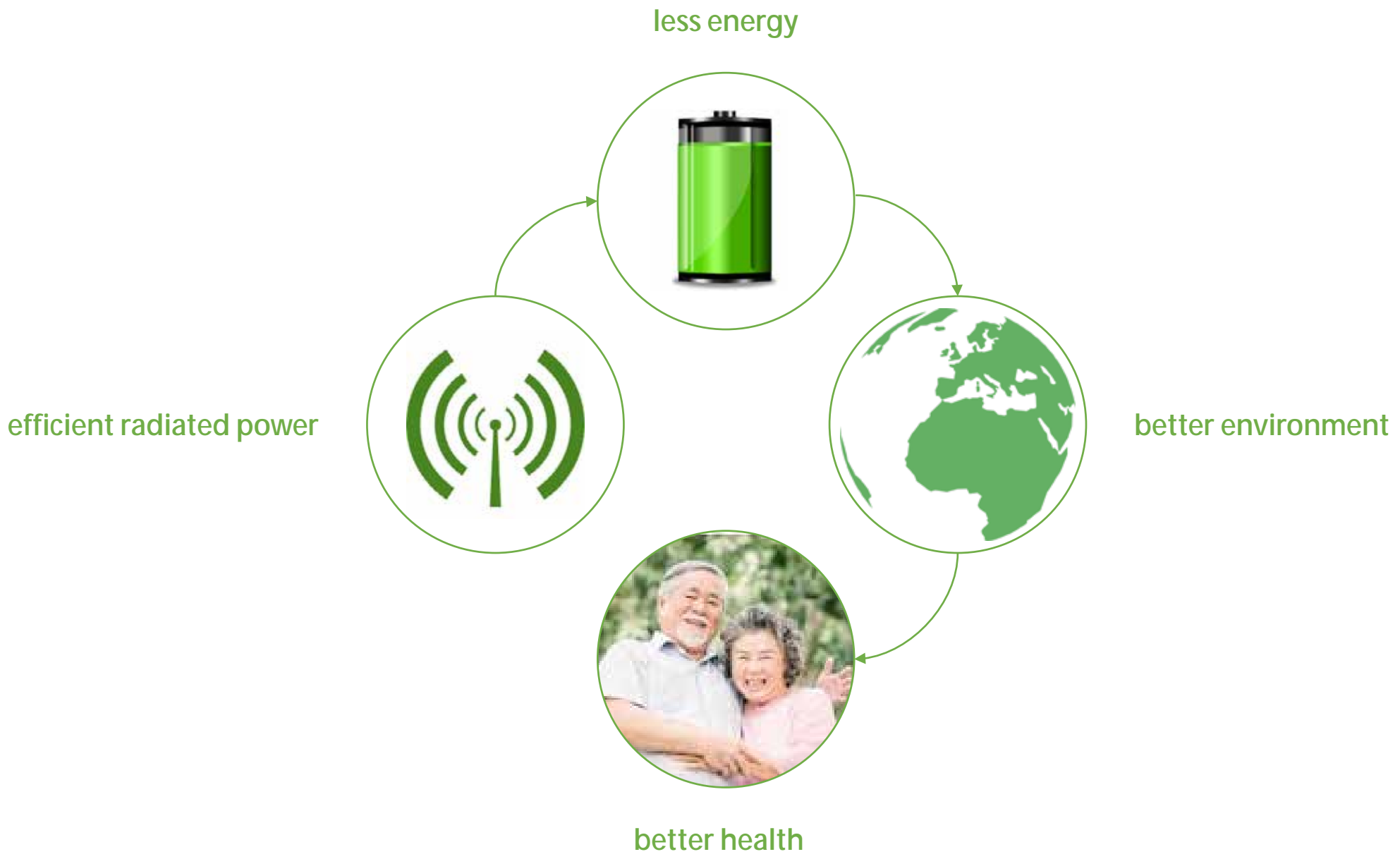
One of the problems



inefficient radiated power

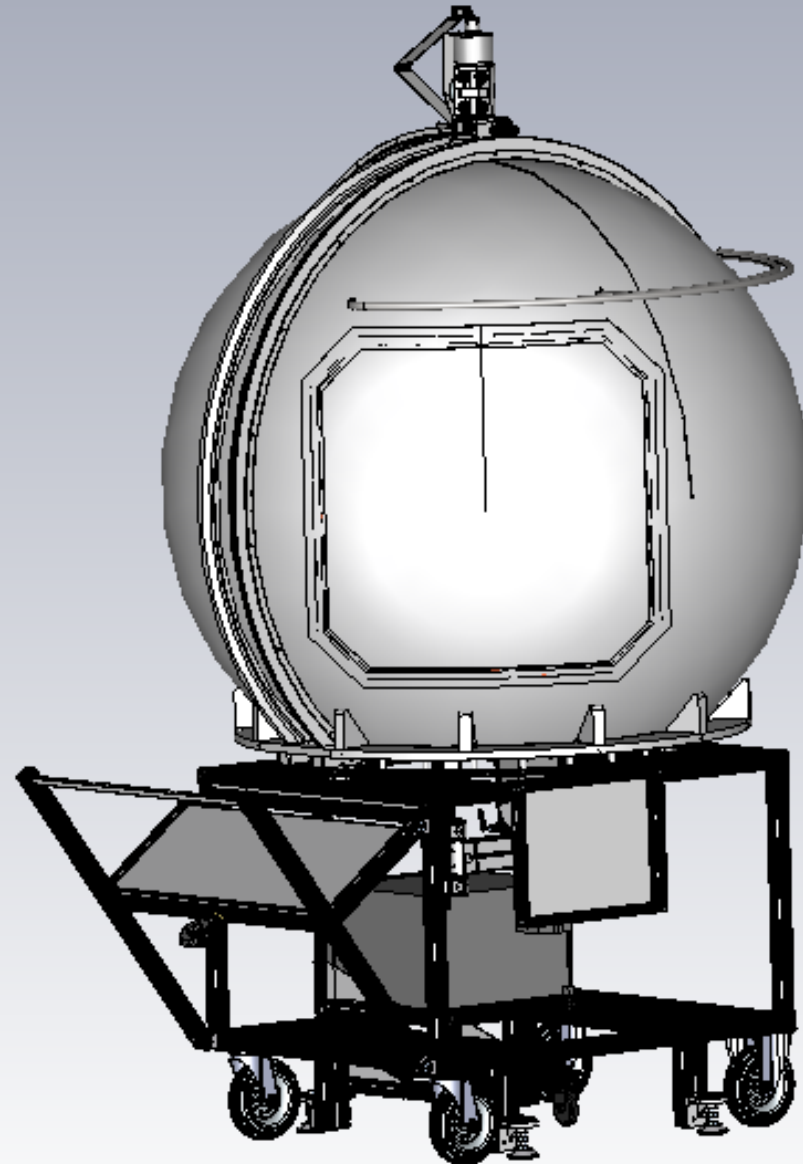


too much energy



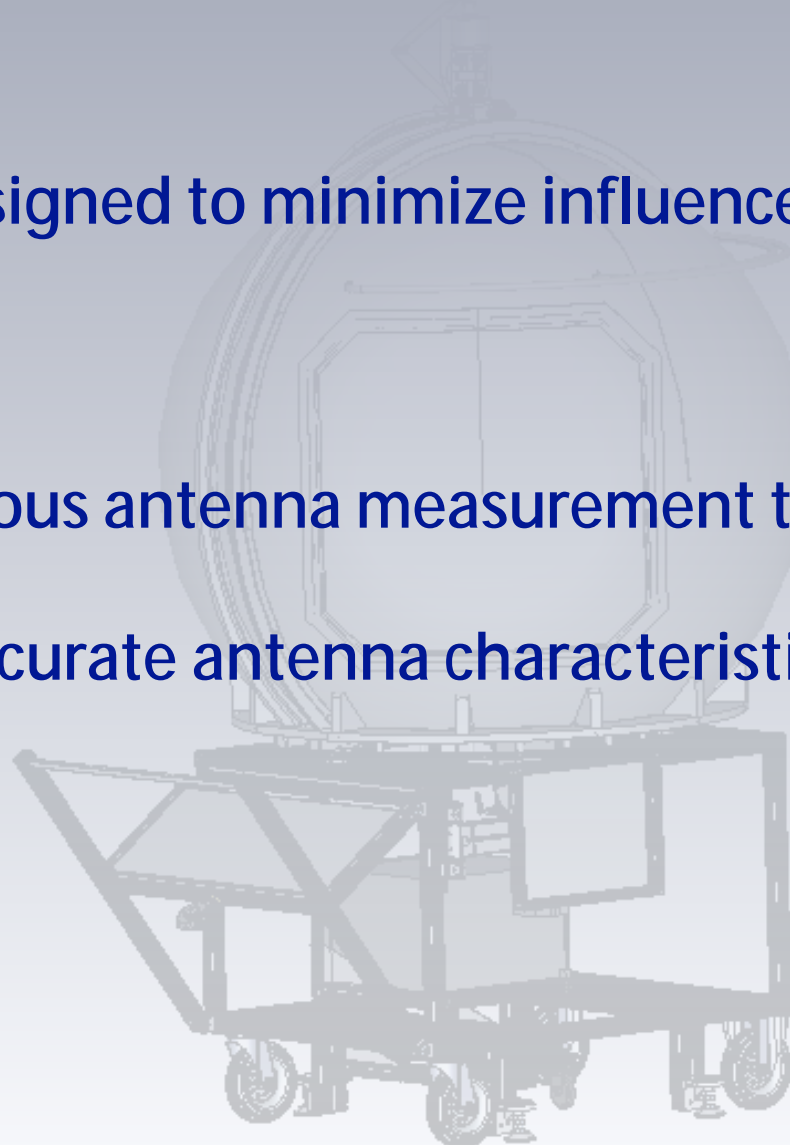
How?

Millimeter Wave Anechoic Chamber



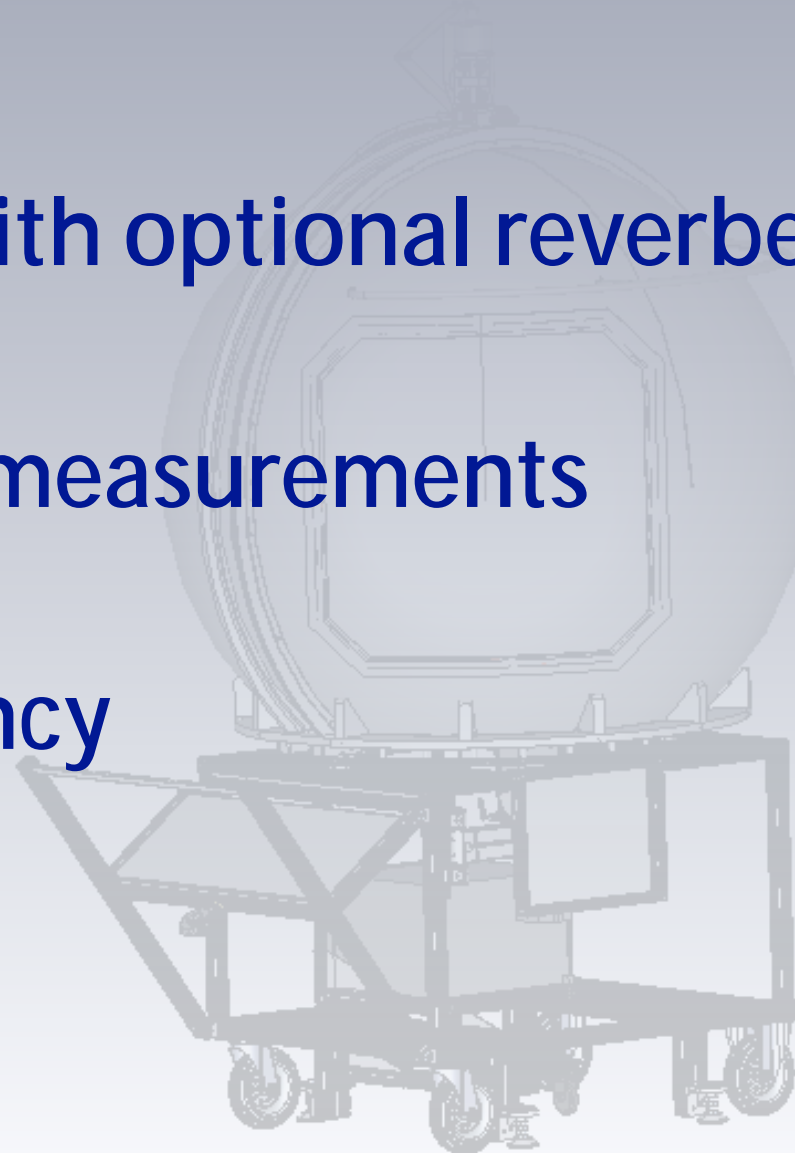
What makes this system unique?

1. Chamber designed to minimize influences from the measurement system
2. Support various antenna measurement techniques
3. Obtaining accurate antenna characteristics results with uncertainty report

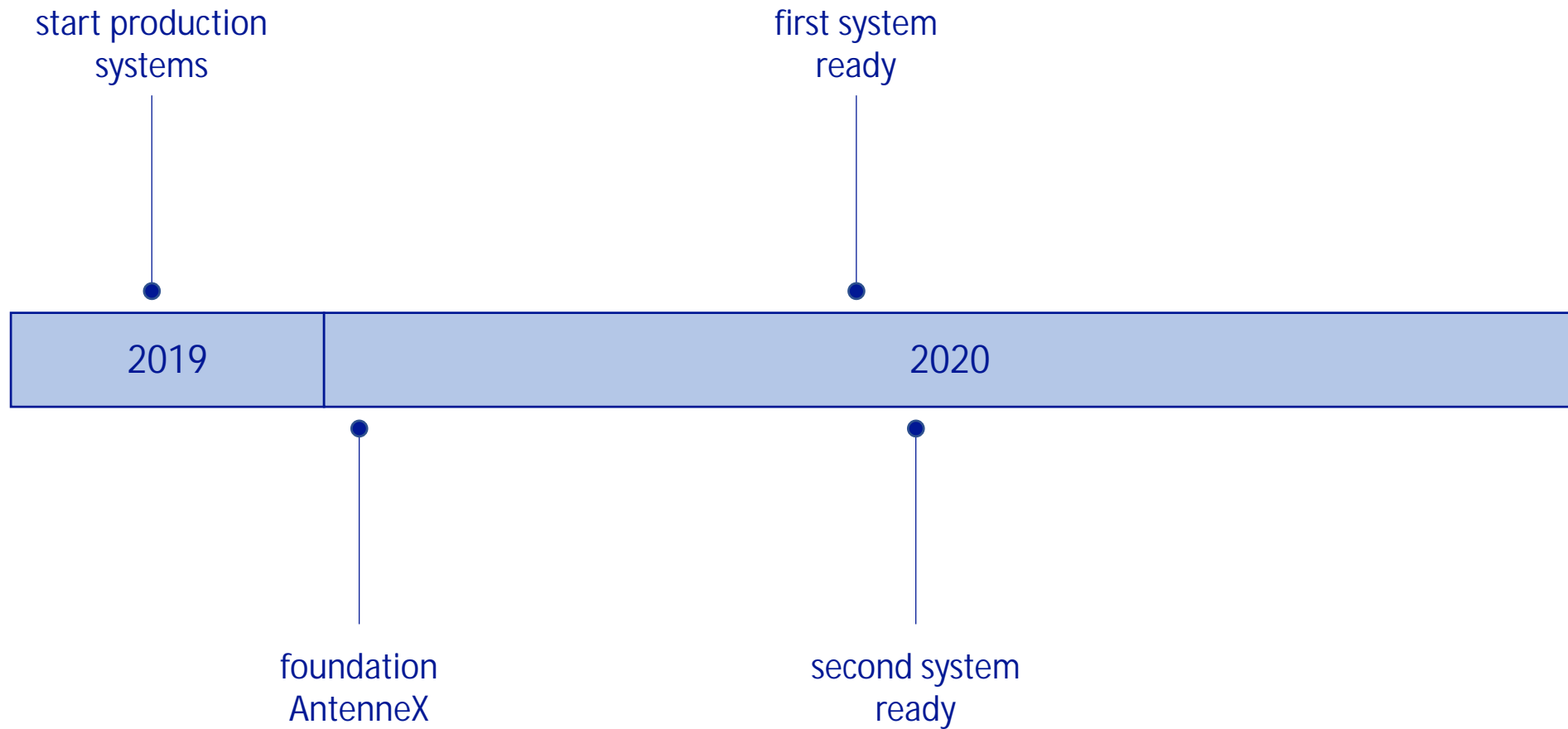


We offer:

1. System with optional reverberation chamber
2. In house measurements
3. Consultancy



High level planning



Please send your questions to:

info@antennex.tech

Antennex

for characterizing millimeter wave antennas